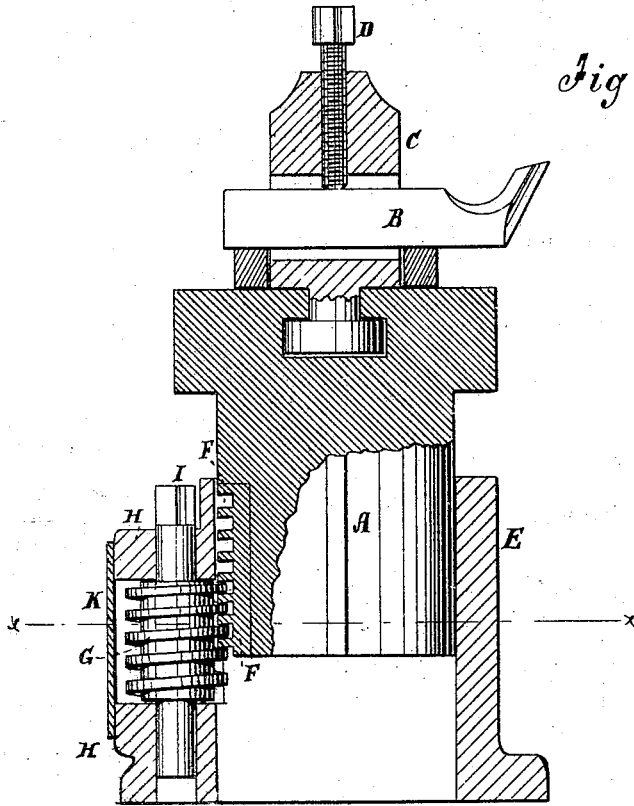


T. & E. BONNER.  
Tool-Posts for Lathes.

No. 152,965.

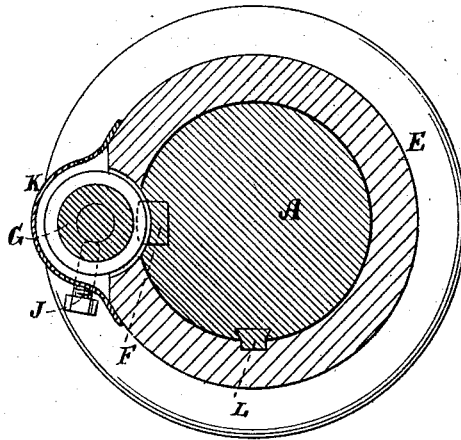
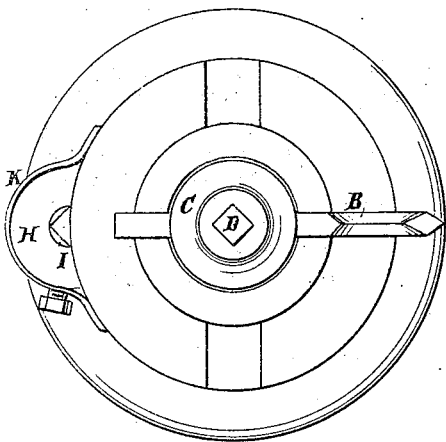
Patented July 14, 1874.



*Fig. 1.*

*Fig. 2.*

*Fig. 3.*



WITNESSES:

*A. Bonner, ex. admr.*  
*C. Sedgwick*

INVENTOR:

*T. Bonner*  
*E. Bonner*

BY

*Wm. H. ...*  
ATTORNEYS.

# UNITED STATES PATENT OFFICE.

THOMAS BONNER, OF CHICOPEE, AND EDWARD BONNER, OF WORCESTER,  
MASSACHUSETTS.

## IMPROVEMENT IN TOOL-POSTS FOR LATHES.

Specification forming part of Letters Patent No. **152,965**, dated July 14, 1874; application filed  
May 9, 1874.

*To all whom it may concern:*

Be it known that we, THOMAS BONNER, of Chicopee, Hampden county, Massachusetts, and EDWARD BONNER, of Worcester, Worcester county, Massachusetts, have invented a new and Improved Adjustable Tool-Holder, of which the following is a specification:

The invention will first be fully described, and then pointed out in the claim.

Figure 2 is a top view. Fig. 3 is a horizontal section on the line *x x*, Fig. 1.

Similar letters of reference indicate corresponding parts.

A is the main portion of the tool-post, on the top of which the tool B is secured in the slotted revolving post C by the binding-screw D. This post A is fitted to work up and down without lateral play in the socketed stand E, and has a vertical rack, F, in one side, in which the endless worm G works, said worm being arranged in bearings H, attached to the socketed stand, so as to be firmly secured against endwise motion, and so that the worm works through a slot in the stand into the rack. The upper end of the worm I is squared to receive a wrench for turning it to move the post up and down. A set-screw, J, is arranged in connection with the lower end to bind it fast and prevent it from working around by any jarring and tumbling of the lathe to which it may be subject, or by the pressure on the inclined

threads. K is an inclosing-case surrounding the front of the worm.

We propose in practice to make a slot in the socket up and down one side, and provide a clamping-screw in connection with it, so that it can be sprung together readily to tighten it on the tool-post in case it wears loose so as to chatter.

This clamping-screw may be arranged in connection with the slot in which the worm works, if desired, as the movement will be very slight.

A key, L, prevents the post A from turning in the standard.

This apparatus is very simple and inexpensive, it produces vertical motion, and will move the tool while it is fast in the post and while at work, and it will not readily get out of order.

Having thus described our invention, we claim as new and desire to secure by Letters Patent—

The combination, with tool-post A, having rack F, of the tubular stand E and the vertical worm G, arranged as and for the purpose specified.

THOMAS BONNER.  
EDWARD BONNER.

Witnesses:

H. L. SHERMAN,  
G. V. WHEELLOCK,